



Norwolf Tool Works, Inc.

6 Sullivan Street, Westwood, NJ 07675

Telephone: (201)666-6655

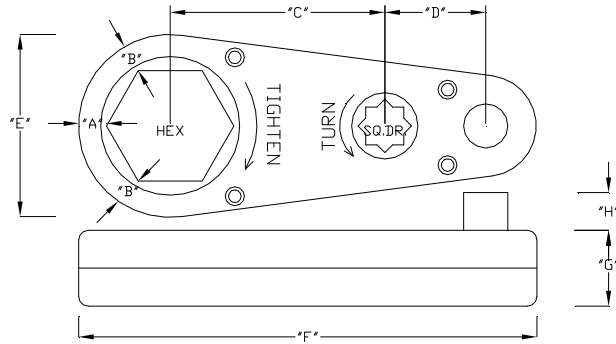
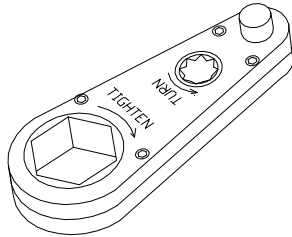
Fax: (201)666-7611

www.norwolf.com

CTC SERIES

XCELINK™

TORQUE MULTIPLIER



XCELINK™, CONSTANT ROTATION, PIN REACTION

XCELINK, 3/4" DRIVE, 3:1 RATIO									
MAXIMUM TORQUE: 850 FT. LBS. INPUT / 2550 FT. LBS. OUTPUT									
PART NO.	HEX	"A"	"B"	"C"	"D"	"E"	"F"	"G"	"H"
CTC-075-3-1-087-S	7/8"	.549"	.686"	4.08"	2"	2.11"	8.13"	1.5"	.75"
CTC-075-3-1-106-S	1-1/16"	.549"	.686"	4.08"	2"	2.32"	8.24"	1.5"	.75"
CTC-075-3-1-125-S	1-1/4"	.549"	.686"	4.08"	2"	2.54"	8.35"	1.5"	.75"
CTC-075-3-1-143-S	1-7/16"	.549"	.686"	4.08"	2"	2.75"	8.46"	1.5"	.75"
CTC-075-3-1-162-S	1-5/8"	.549"	.686"	4.08"	2"	2.97"	8.57"	1.5"	.75"
CTC-075-3-1-181-S	1-13/16"	.549"	.686"	4.08"	2"	3.19"	8.67"	1.5"	.75"
CTC-075-3-1-200-S	2"	.549"	.686"	4.08"	2"	3.41"	8.78"	1.5"	.75"
CTC-075-3-1-218-S	2-3/16"	.549"	.686"	4.08"	2"	3.62"	8.89"	1.5"	.75"
CTC-075-3-1-237-S	2-3/8"	.549"	.686"	4.08"	2"	3.84"	9"	1.5"	.75"
CTC-075-3-1-256-S	2-9/16"	.549"	.686"	4.08"	2"	4.06"	9.11"	1.5"	.75"
CTC-075-3-1-275-S	2-3/4"	.549"	.686"	4.08"	2"	4.27"	9.22"	1.5"	.75"
CTC-075-3-1-293-S	2-15/16"	.549"	.686"	4.08"	2"	4.49"	9.32"	1.5"	.75"
CTC-075-3-1-312-S	3-1/8"	.549"	.686"	4.08"	2"	4.71"	9.43"	1.5"	.75"

XCELINK, 3/4" DRIVE, 4:1 RATIO									
MAXIMUM TORQUE: 850 FT. LBS. INPUT / 2550 FT. LBS. OUTPUT									
PART NO.	HEX	"A"	"B"	"C"	"D"	"E"	"F"	"G"	"H"
CTC-075-4-1-087-S	7/8"	.549"	.686"	5.14"	2"	2.11"	9.19"	1.5"	.75"
CTC-075-4-1-106-S	1-1/16"	.549"	.686"	5.14"	2"	2.32"	9.30"	1.5"	.75"
CTC-075-4-1-125-S	1-1/4"	.549"	.686"	5.14"	2"	2.54"	9.41"	1.5"	.75"
CTC-075-4-1-143-S	1-7/16"	.549"	.686"	5.14"	2"	2.75"	9.52"	1.5"	.75"
CTC-075-4-1-162-S	1-5/8"	.549"	.686"	5.14"	2"	2.97"	9.62"	1.5"	.75"
CTC-075-4-1-181-S	1-13/16"	.549"	.686"	5.14"	2"	3.19"	9.73"	1.5"	.75"
CTC-075-4-1-200-S	2"	.549"	.686"	5.14"	2"	3.41"	9.84"	1.5"	.75"
CTC-075-4-1-218-S	2-3/16"	.549"	.686"	5.14"	2"	3.62"	9.95"	1.5"	.75"
CTC-075-4-1-237-S	2-3/8"	.549"	.686"	5.14"	2"	3.84"	10.05"	1.5"	.75"
CTC-075-4-1-256-S	2-9/16"	.549"	.686"	5.14"	2"	4.06"	10.16"	1.5"	.75"
CTC-075-4-1-275-S	2-3/4"	.549"	.686"	5.14"	2"	4.27"	10.27"	1.5"	.75"
CTC-075-4-1-293-S	2-15/16"	.549"	.686"	5.14"	2"	4.49"	10.37"	1.5"	.75"
CTC-075-4-1-312-S	3-1/8"	.549"	.686"	5.14"	2"	4.71"	10.49"	1.5"	.75"

XCELINK, 1" DRIVE, 3:1 RATIO									
MAXIMUM TORQUE: 1800 FT. LBS. INPUT / 5400 FT. LBS. OUTPUT									
PART NO.	HEX	"A"	"B"	"C"	"D"	"E"	"F"	"G"	"H"
CTC-100-3-1-200-S	2"	.732"	.915"	5.44"	2.66"	3.77"	11.32"	2"	1"
CTC-100-3-1-218-S	2-3/16"	.732"	.915"	5.44"	2.66"	3.99"	11.43"	2"	1"
CTC-100-3-1-237-S	2-3/8"	.732"	.915"	5.44"	2.66"	4.21"	11.54"	2"	1"
CTC-100-3-1-256-S	2-9/16"	.732"	.915"	5.44"	2.66"	4.42"	11.64"	2"	1"
CTC-100-3-1-275-S	2-3/4"	.732"	.915"	5.44"	2.66"	4.64"	11.75"	2"	1"
CTC-100-3-1-293-S	2-15/16"	.732"	.915"	5.44"	2.66"	4.85"	11.86"	2"	1"
CTC-100-3-1-312-S	3-1/8"	.732"	.915"	5.44"	2.66"	5.07"	11.97"	2"	1"
CTC-100-3-1-350-S	3-1/2"	.732"	.915"	5.44"	2.66"	5.50"	12.18"	2"	1"
CTC-100-3-1-387-S	3-7/8"	.732"	.915"	5.44"	2.66"	5.94"	12.40"	2"	1"
CTC-100-3-1-425-S	4-1/4"	.732"	.915"	5.44"	2.66"	6.37"	12.62"	2"	1"
CTC-100-3-1-462-S	4-5/8"	.732"	.915"	5.44"	2.66"	6.80"	12.83"	2"	1"

XCELINK, 1" DRIVE, 4:1 RATIO									
MAXIMUM TORQUE: 1800 FT. LBS. INPUT / 7200 FT. LBS. OUTPUT									
PART NO.	HEX	"A"	"B"	"C"	"D"	"E"	"F"	"G"	"H"
CTC-100-4-1-200-S	2"	.732"	.915"	6.85"	2.66"	3.77"	12.73"	2"	1"
CTC-100-4-1-218-S	2-3/16"	.732"	.915"	6.85"	2.66"	3.99"	12.84"	2"	1"
CTC-100-4-1-237-S	2-3/8"	.732"	.915"	6.85"	2.66"	4.21"	12.95"	2"	1"
CTC-100-4-1-256-S	2-9/16"	.732"	.915"	6.85"	2.66"	4.42"	13.05"	2"	1"
CTC-100-4-1-275-S	2-3/4"	.732"	.915"	6.85"	2.66"	4.64"	13.16"	2"	1"
CTC-100-4-1-293-S	2-15/16"	.732"	.915"	6.85"	2.66"	4.85"	13.27"	2"	1"
CTC-100-4-1-312-S	3-1/8"	.732"	.915"	6.85"	2.66"	5.07"	13.38"	2"	1"
CTC-100-4-1-350-S	3-1/2"	.732"	.915"	6.85"	2.66"	5.50"	13.59"	2"	1"
CTC-100-4-1-387-S	3-7/8"	.732"	.915"	6.85"	2.66"	5.94"	13.81"	2"	1"
CTC-100-4-1-425-S	4-1/4"	.732"	.915"	6.85"	2.66"	6.37"	14.03"	2"	1"
CTC-100-4-1-462-S	4-5/8"	.732"	.915"	6.85"	2.66"	6.80"	14.24"	2"	1"